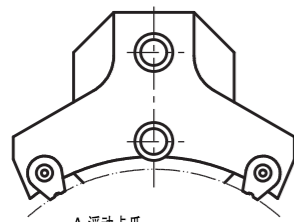
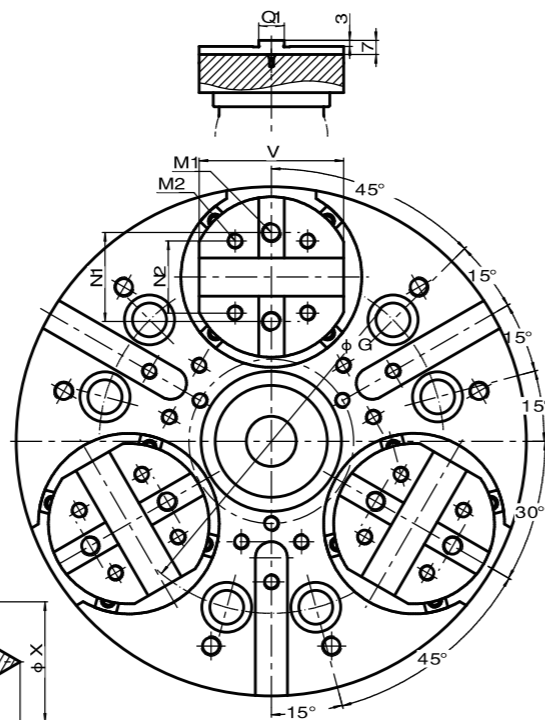
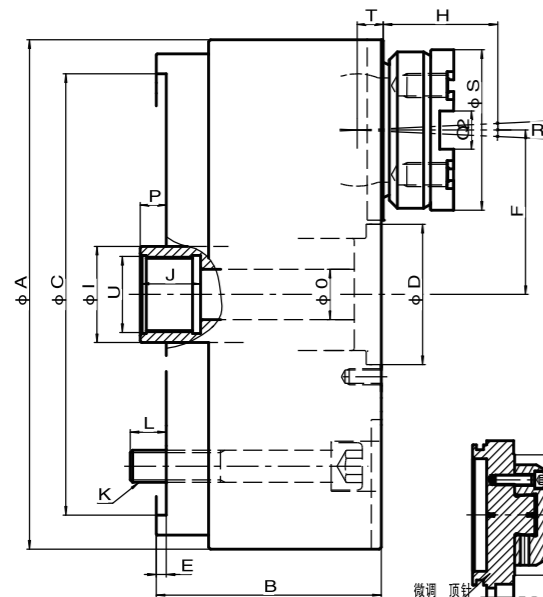
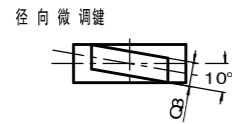


### > CW SERIES

#### 補償式浮動三爪卡盤

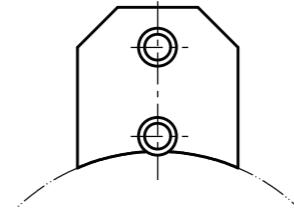
#### COMPENSATION SWING LOCK 3 JAW CHUCK

- ◎ 防鐵屑與冷卻液，防止污染內部結構。
- ◎ 卡盤本體與部件經噴火處理，採用長效潤滑，確保高精度與較長的使用壽命。
- ◎ 離心力補償，適合高-低壓夾緊。
- ◎ An internal floating cam makes it possible to clamp on the standard center hole even when the outer diameter of a work piece is not centered.
- ◎ Features a fully sealed structure that extends lubrication intervals and prevents coolant infiltration.
- ◎ Suitable for higher or lower pressure gripping working.



-A 浮動卡爪：  
用于夾持毛坯或易變形工件，  
6點接觸，用于一序和二序加工；

Pedulum Jaws  
6 points touching  
For Gripping casting blank  
parts or easy deformed parts



-B 剛性卡爪：  
用于夾持已加工過的直徑，  
重復定心精度高。

Steel Jaws  
For clamping turned parts  
High repeatability accuracy

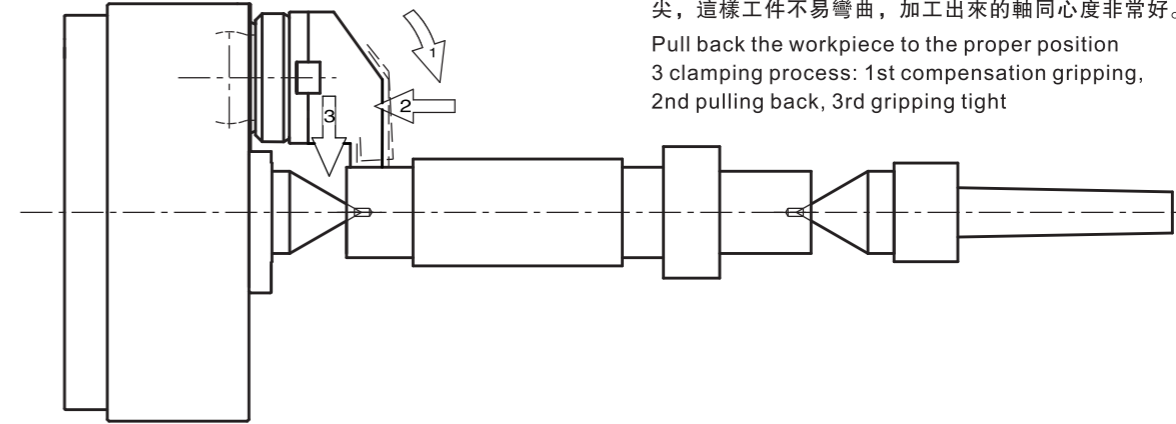
### > CW SERIES

#### 補償式浮動三爪卡盤

#### COMPENSATION SWING LOCK 3 JAW CHUCK

- ① 後拉工件至參考定位上；
- ② 卡爪補償夾持：1補償夾持-2後拉-3夾緊
- ③ 尾座提供支撐零件所必需的力，卡盤把工件拉向中心頂尖，這樣工件不易彎曲，加工出來的軸同心度非常好。

Pull back the workpiece to the proper position  
3 clamping process: 1st compensation gripping,  
2nd pulling back, 3rd gripping tight



型號/Model 規格/Spec.	A	B	C (G7)	D (H8)	E	F	G	H	I	J	K
CW-05	135	70	110	30.5	5	42	82.6	39	25	17	3-M10
CW-06	173	80	140	28	5	55	104.8	50	36	25	6-M10
CW-08	212	105	170	34	5	64	133.4	60	38	25	6-M12
CW-10	254	112	220	70	5	82	171.4	70	48	30	6-M16
CW-12	315	112	220	75	5	107	171.4	70	48	30	6-M16
CW-15	390	132	300	85	5	130	235	80	75	30	6-M20
CW-21	535	138	380	85	6	190	330.2	80	75	30	6-M24
CW-24	650	155	380	150	6	245	330.2	100	100	36	6-M26

型號/Model 規格/Spec.	L	M1	M2	N1	N2	O	P	Q1(H8)	Q2(H7)	Q3(H7)	R
CW-05	15	M6	M5	19	15	8.5	0-16	6.35	7.94	5	5°
CW-06	16	M10	M8	32	24	12.5	7.5-28.5	7.94	12.68	9	5.2°
CW-08	17	M12	M10	38	32	18	7.5-32.5	12.68	12.68	9	5.2°
CW-10	18	M12	M10	44.4	36	25	0.5-25.5	12.68	19.03	12	5.4°
CW-12	18	M12	M10	44.4	36	25	12.5-37.5	12.68	19.03	12	5.4°
CW-15	26	M16	M12	63.5	48	52	10-40	12.68	19.03	12	4.7°
CW-21	29	M16	M12	63.5	48	52	5-35	12.68	19.03	12	4.7°
CW-24	29	M20	M16	63.5	54	72	4-36	12.68	19.03	12	5°

型號/Model 規格/Spec.	S	T	U	V	W1	W2	X
CW-05	37	5	M20*1.5	36	3.2	22.5	12
CW-06	60	9	M28*1.5	55	11	62	35
CW-08	75	10	M32*1.5	65	14	67	46
CW-10	80	12	M38*1.5	72	16	68	60
CW-12	80	12	M38*1.5	72	18	72	60
CW-15	105	12	M60*1.5	100	18	95	116
CW-21	105	12	M60*1.5	100	20	95	116
CW-24	127	12	M80*2	116	20	95	116

型號/Model 規格/Spec.	卡爪角行程 Jaw stroke	斜嵌軸向行程 Plunger stroke mm	最大推力 Max.Pull force KN	最大夾持力 Max.Gripping Force KN	最高轉速 Max RPM	重量 Weight Kg
CW-05	5°	16	12	29	6000	4.5
CW-06	5.2°	21	18	44	4000	15
CW-08	5.2°	25	25	60	3500	27
CW-10	5.4°	25	40	96	2800	41
CW-12	5.4°	25	40	96	2500	66
CW-15	4.7°	30	50	120	1800	115
CW-21	4.7°	30	60	150	1500	196
CW-24	5°	32	100	180	1200	386

■ 保留技術更改的權利，恕不另行通知。Subject to technology changes without prior information  
■ 非標需求可訂做。Non-standard requirements can be made